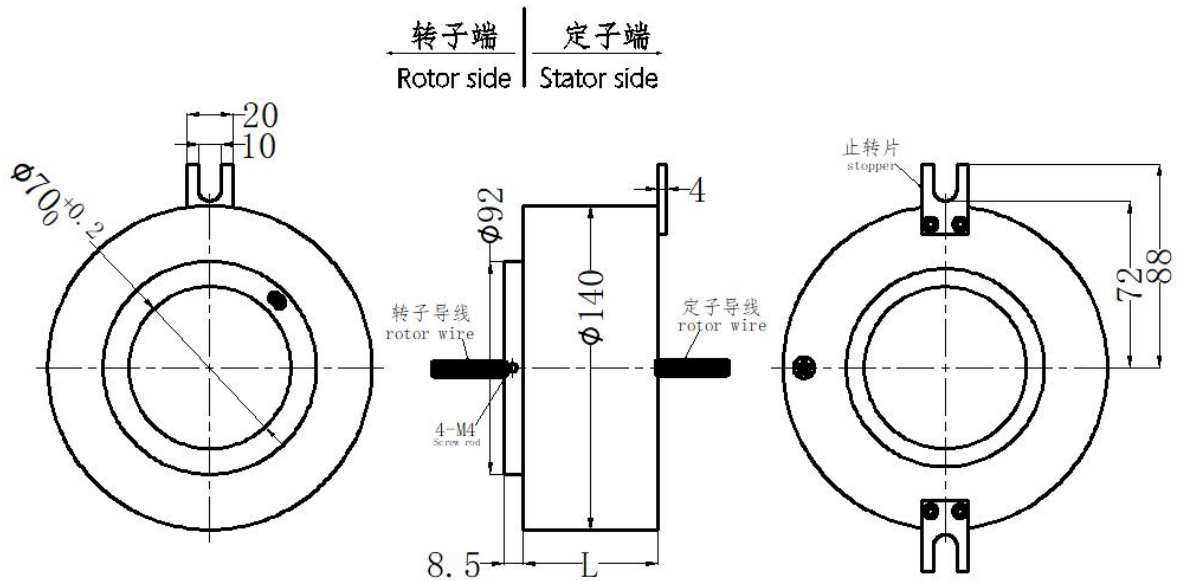


## HD70140 Series

Integrated structure designed precision conductive slip ring, with center through bore ID 70mm, OD 140mm, suitable for rotating application which requires rotating shaft center through bore  $\leq 70\text{mm}$ , (remark: if need a through bore  $< 70\text{mm}$ , can add an inner bushing).



### 【Drawing】



### Model List (For other models, please contact customer service)

#### HD70140 Series Through Bore Conductive Slip Ring Model List

Model	10A	Signal or Power, $\leq 5\text{A}$	Length L(mm)	Model	10A	Signal or Power, $\leq 5\text{A}$	Length L(mm)
HD70140-06S	0	6	58	HD70140-0610-06S	6	6	82
HD70140-0610	6	0	58	HD70140-1210-24S	12	24	178
HD70140-1210	12	0	82	HD70140-0610-12S	6	12	106
HD70140-3610	36	0	178	HD70140-0210-10S	2	10	82

Note: Circuits can be combined in parallel for bigger current, N circuits of 2A to get  $N \times 2\text{A}$ , such as 2 circuits of 5A in parallel for 10A use. For other models, please contact customer service for special requirements.

### Technical Specification

Mechanical		Electrical		
Spec	Data	Spec	Power	Signal
Torque	0.1N.m+0.03N.m/6 Circuits	Rated Voltage	0 ~ 240VAC/VDC	0 ~ 240VAC/VDC
Working Life	Please refer to "Product Quality Level Table".	Rated Resistance	≥500MΩ/300vdc	≥500MΩ/300vdc
Rated Rotating Speed	Please refer to "Product Quality Level Table".	Lead Wire Spec	AWG16#Tin-plated Teflon	AWG22#Tin-plated Teflon
Working temp. & humidity	-30°C ~ -75°C, 0 ~ 80%RH	Lead Wire Length	Standard Length: 300mm	
Material	Housing Material: Aluminum Alloy Contact Material: Precious Metal	Insulation Strength	500VAC@50Hz, 10s	
IP Grade	IP51	Electrical Noise	<0.01Ω	

### Lead Wires Color Code

Ring	1	2	3	4	5	6	7	8	9	10	11	12
Color	BLK	RED	YEL	GRN	BLU	WHT	BLK	RED	YEL	GRN	BLU	WHT

### Options for custom slip ring

Special requirements: 1 piece MOQ, delivery time will need extra 4-15 days, the cost of customization needs to be negotiated. The requirements for customization below can be met:

- ①High temperature can reach up to 500°; ②High voltage can reach up to 110KV;
- ③High speed rotating speed can reach up to 1000RPM; ④Large current can reach up to 5000A;
- ⑤ Can combine with rotary joint; ⑥ Can combine to transmit with signal; ⑦ Can customize as your required size;
- ⑧Aviation plug is optional; ⑨Can combine to transmit in high speed rotating speed; ⑩Underwater waterproofing is optional.