

# HQ0201 (2 Passages Pneumatic Rotary Joint)

HQ0201 Series is 2 passages flange mounted pneumatic rotary joint.

It is made of special aluminum alloy, with small size, light weight and small torque.

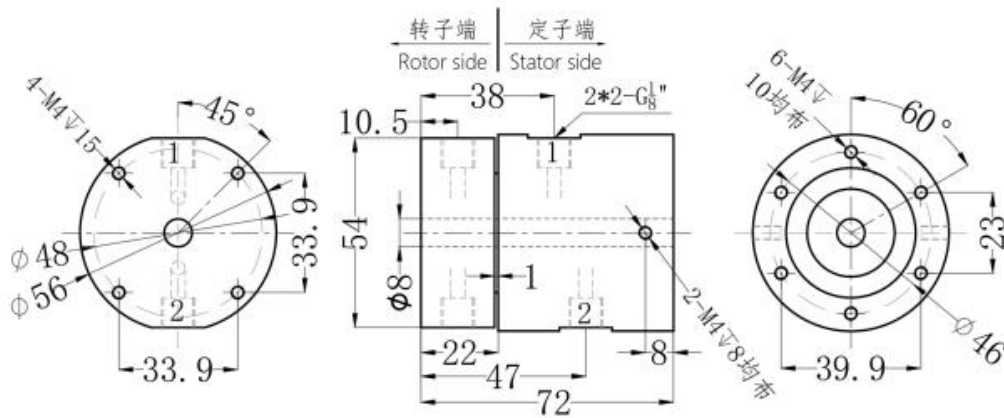
Can transmit medium types: compressed gas, vacuum, etc.

Can combine to transmit: electrical power and signal, solenoid valve, control circuits, etc.

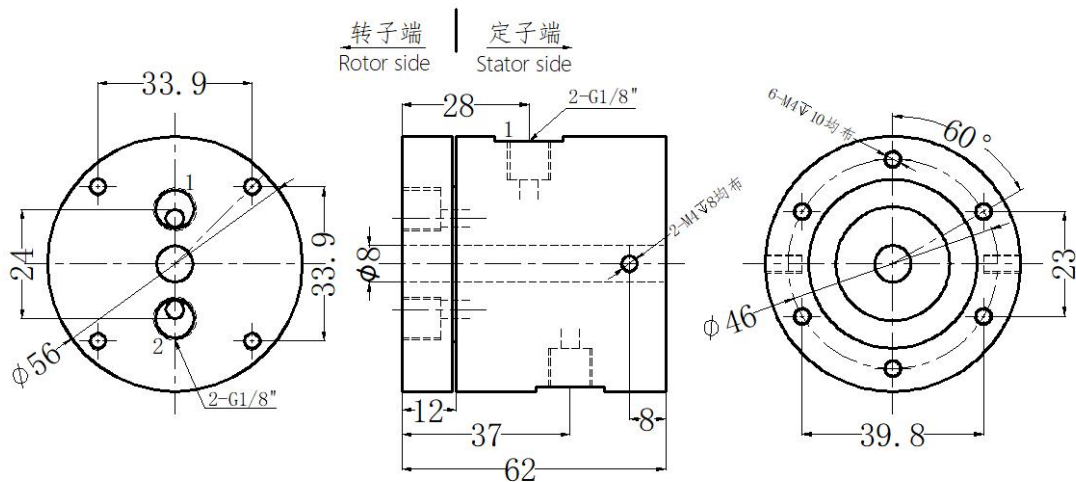
G1/8" port is a frequency-used port, ports like G3/8" port, M5 port, are the same.



## HQ0201 Drawing



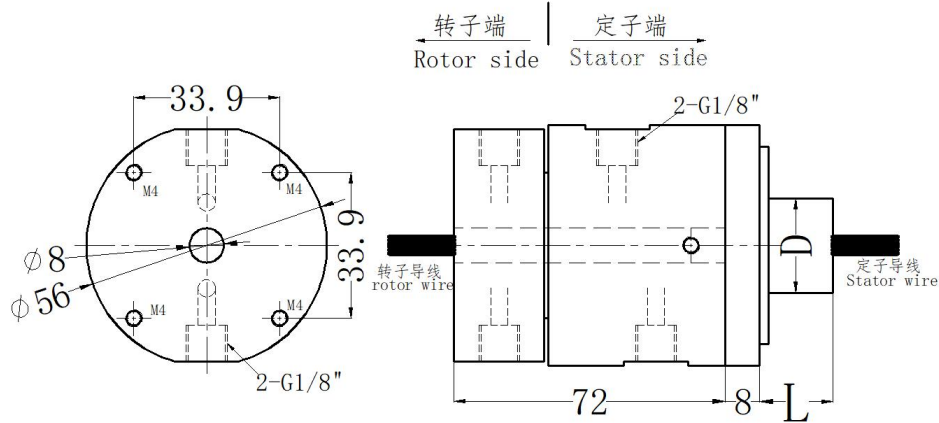
## HQD0201 End Face Outlet Drawing



## Model List

Model	Port Size	Gas Passage	Pipe Size
HQ0201	G1/8" Port	2	6 ~ 8mm
HQD0201	G1/8" Port	2	6 ~ 8mm

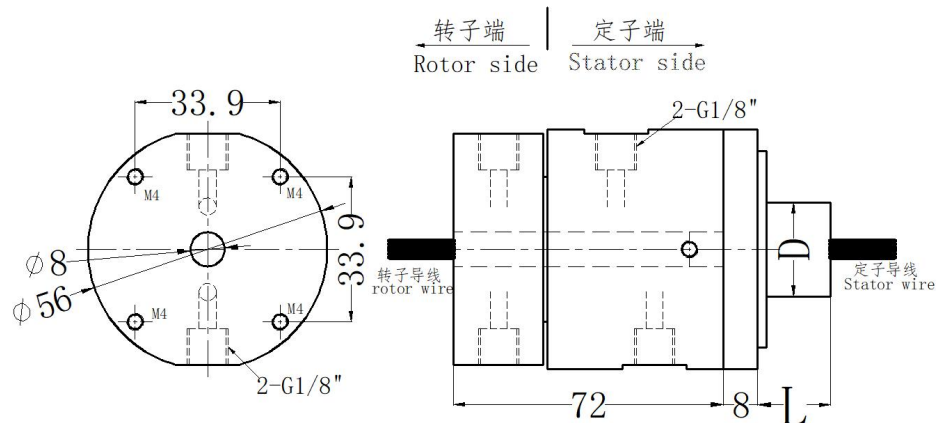
**HQ0201-06M(12, 18, 24, 36) 2 IN 2 OUT G1/8" Port +6~36 circuits Capsule Signal Slip Ring**



**Model List (For other models, please contact customer service)**

Model	Port Size	Gas Passage	Signal circuits @1 ~ 2A	L(mm)	D(mm)	Pipe Size
HQ0201-06M	G1/8" Port	2	6	17	22	6 ~ 8mm
HQ0201-12M	G1/8" Port	2	12	24.5	22	6 ~ 8mm
HQ0201-18M	G1/8" Port	2	18	31.9	22	6 ~ 8mm
HQ0201-24M	G1/8" Port	2	24	39.6	22	6 ~ 8mm
HQ0201-36M	G1/8" Port	2	36	54.5	22	6 ~ 8mm

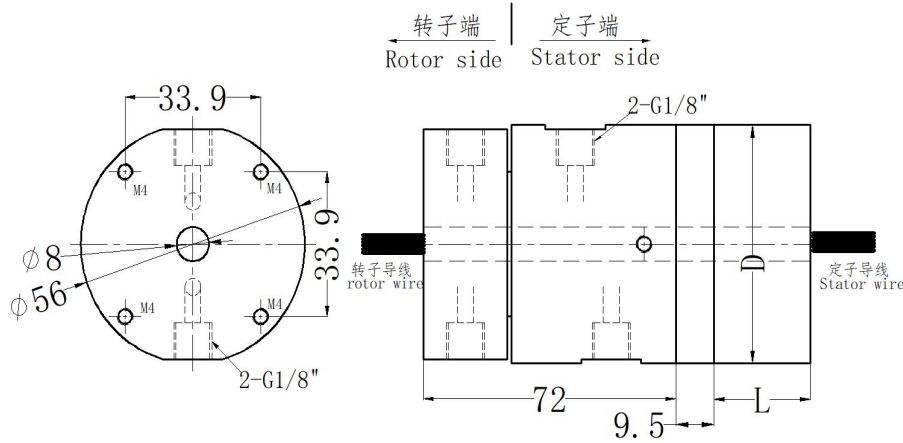
**HQ0201-56M 2 IN 2 OUT G1/8" Port**



**Model List (For other modes, please contact customer service.)**

Model	Port Size	Gas Passage	Signal Circuits @1 ~ 2A	L(mm)	D(mm)	Pipe Size
HQ0201-56M	G1/8" Port	2	56	86	25	6 ~ 8mm

**HQ0201-NA-NS Drawing 2 IN 2 OUT G1/8" Port**



**Model List (For other models, please contact customer service)**

Model	Port Size	Gas Passage	Signal Circuit@ 5A 5A	Power Circuits@ 10A	L (mm)	D (mm)	Pipe Size
HQ0201-0610	G1/8" Port	2	0	6	39	56	6~8mm
HQ0201-06S	G1/8" Port	2	6	0	39	56	6~8mm
HQ0201-1210	G1/8" Port	2	0	12	57	56	6~8mm
HQ0201-0610-06S	G1/8" Port	2	6	6	57	56	6~8mm
HQ0201-1810	G1/8" Port	2	0	18	75	56	6~8mm
HQ0201-0610-12S	G1/8" Port	2	12	6	75	56	6~8mm
HQ0201-18S	G1/8" Port	2	18	0	75	56	6~8mm
HQ0201-24S	G1/8" Port	2	24	0	93	56	6~8mm
HQ0201-0610-18S	G1/8" Port	2	18	6	93	56	6~8mm
HQ0201-30S	G1/8" Port	2	30	0	111	56	6~8mm
HQ0201-36S	G1/8" Port	2	36	0	129	56	6~8mm

Note: Electrical power circuits @10A can combine with signal circuits @5A at will. For more models, please contact customer service.

### Technical Specification

Mechanical		Electrical		
Specs	Data	Specs	Data	
Passages no.	2 IN 2 OUT, G1/8" Port		Power	Signal
Pressure&Torque	Max. 1MP; Vacuum: 0.01TORR, for torque details, please refer to torque data sheet.	Voltage	0 ~ 240VAC/VDC	0 ~ 240VAC/VDC
Working Life	About 10 million revolutions (depend on the working environment)	Resistance	≥ 500MΩ/300vdc	≥ 500MΩ/300vdc
Rated Rotating Speed	500RPM	Lead Wire Spec	AWG16#Tin-plated Teflon	AWG22#Tin-plated Teflon
Working Temp. & Humidity	-30°C ~ -75°C, 0 ~ 80%RH	Lead Wire Length	Standard Length: 300mm	
Material	Housing Material: Aluminum Alloy Contact Material: Precious Metal	Insulation Strength	500VAC@50Hz, 10s	
IP Grade	IP51	Electrical Noise	<0.01Ω	

### Product Quality Level Table

Grade Code	Working Life	Sealing Ring	Max. Rotating Speed
VD (Industrial)	6 million revolutions	Imported brand	300RPM
VC (Standard)	5 million revolutions	Domestic brand	100RPM

### Options for custom slip ring

Special requirements: 1 piece MOQ, delivery time will need extra 4-15 days, the cost of customization needs to be negotiated. The requirements for customization below can be met: ① High temperature can reach up to 500°; ② High voltage can reach up to 110KV; ③ High speed rotating speed can reach up to 1000RPM ④ Large current can reach up to 5000A; ⑤ Can combine with rotary joint; ⑥ Can combine to transmit with signal; ⑦ Can customize as your required size; ⑧ Aviation plug is optional; ⑨ Can combine to transmit in high speed rotating speed; ⑩ Underwater waterproofing is optional.