

HQ0203 (2 Passages Pneumatic Rotary Joint)

HQ0203 Series is 2 passages pneumatic rotary joint, with G3/8" port, can combine to transmit electricity.

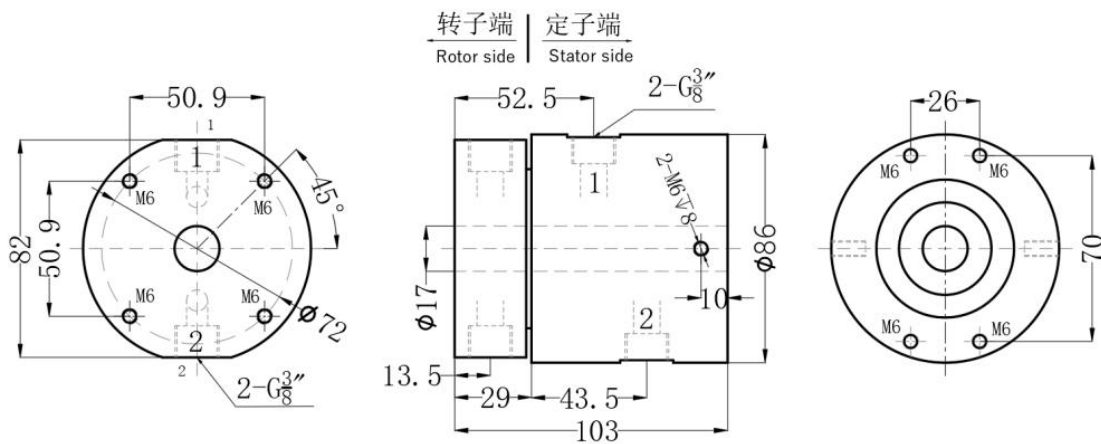
It is made of special aluminum alloy, with small size, light weight and small torque.

Can transmit medium types: compressed gas, vacuum, etc. Can combine to transmit: electrical power and signal, solenoid valve, control circuits, etc.

G3/8" port is a frequency-used port, ports like G1/8" port, M5 port, are the same.



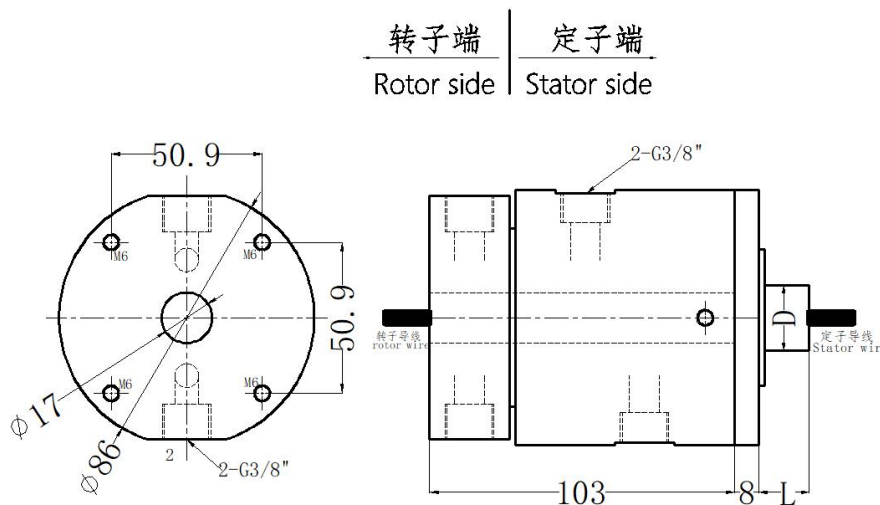
HQ0203 2 IN 2 OUT G3/8" Port



Model List

Model	Port Size	Gas Passage	Pipe Size
HQ0203	G3/8" Port	2	10 ~ 12mm

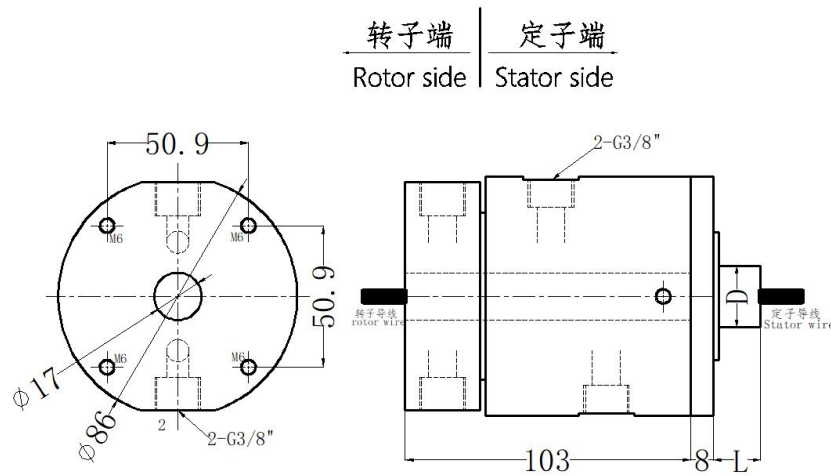
HQ0203-06M (12, 18, 24, 36) 2 IN 2 OUT G3/8" Port + 6~36 Circuits Capsule Signal Slip Ring



Model List (For other models, please contact customer service)

Model	Port Size	Gas Passage	Signal Circuits@1 ~ 2A	L (mm)	D (mm)	Pipe Size
HQ0203-06M	G3/8" Port	2	6	17	22	10 ~ 12mm
HQ0203-12M	G3/8" Port	2	12	24.5	22	10 ~ 12mm
HQ0203-18M	G3/8" Port	2	18	31.9	22	10 ~ 12mm
HQ0203-24M	G3/8" Port	2	24	39.6	22	10 ~ 12mm
HQ0203-36M	G3/8" Port	2	36	54.5	22	10 ~ 12mm

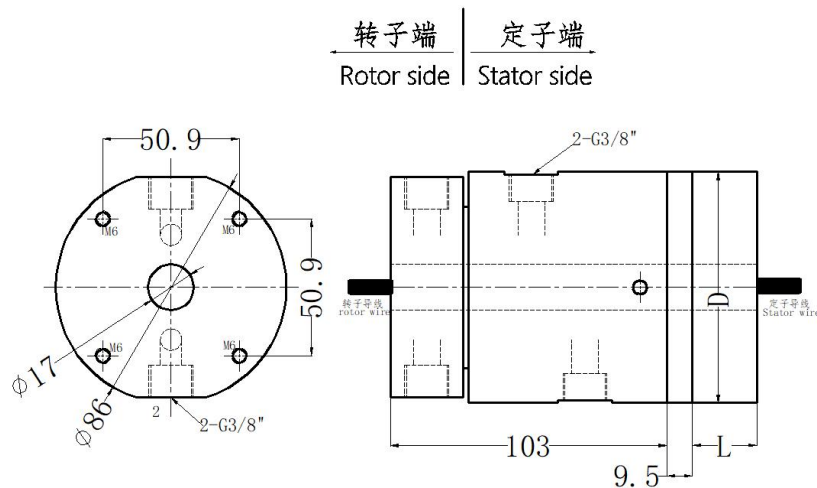
HQ0203-56M 2 IN 2 OUT G3/8" Port +56 Circuits Capsule Signal Slip Ring



Model List (For other models, please contact customer service)

Model	Port Size	Gas Passage	Signal Circuits@1 ~ 2A)	L (mm)	D (mm)	Pipe Size
HQ0203-56M	G3/8" Port	2	56	86	25	10 ~ 12mm

HQ0203-NA-NS Drawing 2 IN 2 OUT G3/8" Port



Model List (For other models, please contact customer service)

Model	Port Size	Gas Passage	Signal Circuits@ 5A	Power Circuits@ 10A	L (mm)	D (mm)	Pipe Size
HQ0203-0610	G3/8" Port	2	0	6	48	86	10 ~ 12mm
HQ0203-06S	G3/8" Port	2	6	0	48	86	10 ~ 12mm
HQ0203-1210	G3/8" Port	2	0	12	72	86	10 ~ 12mm
HQ0203-0610-06S	G3/8" Port	2	6	6	72	86	10 ~ 12mm
HQ0203-1810	G3/8" Port	2	0	18	96	86	10 ~ 12mm
HQ0203-0610-12S	G3/8" Port	2	12	6	96	86	10 ~ 12mm
HQ0203-18S	G3/8" Port	2	18	0	96	86	10 ~ 12mm
HQ0203-24S	G3/8" Port	2	24	0	120	86	10 ~ 12mm
HQ0203-0610-18S	G3/8" Port	2	18	6	120	86	10 ~ 12mm
HQ0203-30S	G3/8" Port	2	30	0	144	86	10 ~ 12mm
HQ0203-36S	G3/8" Port	2	36	0	168	86	10 ~ 12mm

Note: Electrical power circuits @10A can combine with signal circuits @5A at will. For more models, please contact customer service.

Technical Specification

Mechanical		Electrical		
Spec	Data	Spec	Data	
Gas Passage	2 IN 2 OUT, G3/8"		Power	Signal
Pressure&Torque	Max. 1MP, Vacuum-1.5Kpa; Torque < 1.2 N.m	Voltage	0 ~ 240VAC/VDC	0 ~ 240VAC/VDC
Working Life	About 10 million revolutions (depend on the working environment)	Resistance	≥ 500MΩ/300vdc	≥ 500MΩ/300vdc
Rated Rotating Speed	500RPM	Lead Wire Spec	AWG16#Tin-plated Teflon	AWG22#Tin-plated Teflon
Working Temp.& Humidity	-30°C ~ -75°C, 0 ~ 80%RH	Lead Wire Length	Standard Length: 300mm	
Material	Housing Material: Aluminum Alloy Contact Material: Precious Metal	Insulation Strength	500VAC@50Hz, 10s	
IP Grade	IP51	Electrical Noise	<0.01Ω	