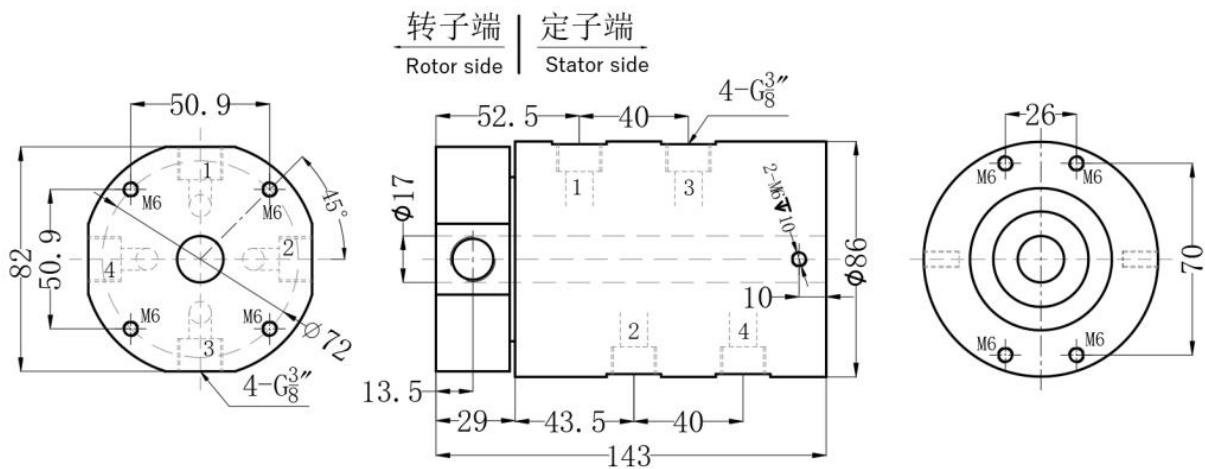


HQ0403 (4 Passages Pneumatic Rotary Joint)

HQ0403 Series is 4 passages pneumatic rotary joint, with G3/8" port, can combine to transmit electricity. It is made of special aluminum alloy, with small size, light weight and small torque. Can transmit medium types: compressed gas, vacuum, etc. Can combine to transmit: electrical power and signal, solenoid valve, control circuits, etc. G3/8" port is a frequency-used port, ports like G1/8" port, M5 port, are the same.



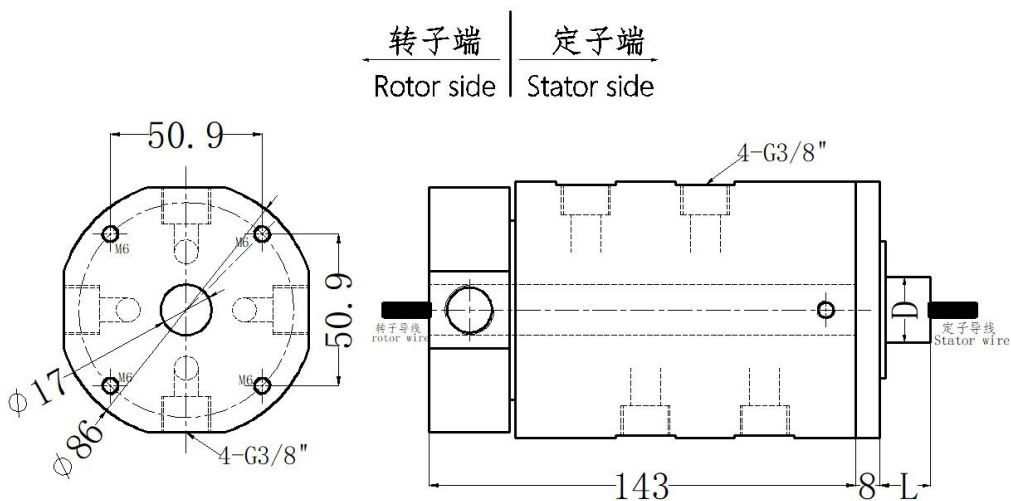
HQ0403 4 IN 4 OUT G3/8" Port



Model List

Model	Port Size	Gas Passage	Pipe Size
HQ0403	G3/8" Port	4	10~12mm

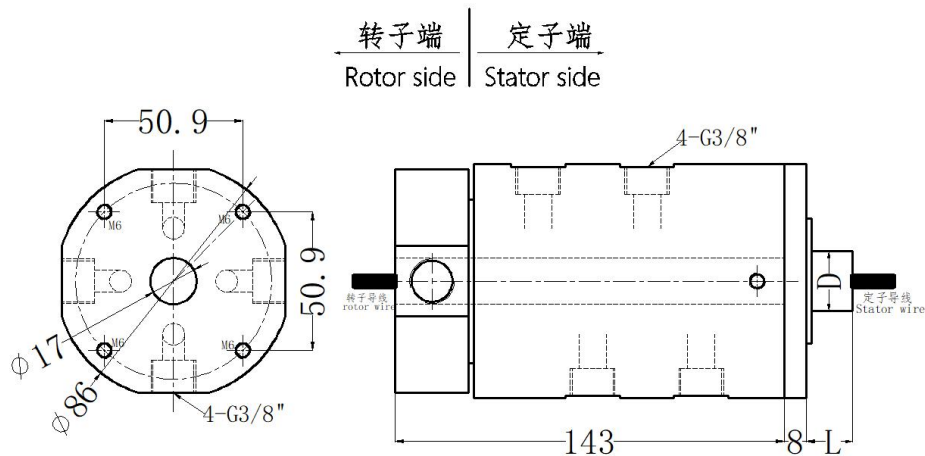
HQ0403-06M (12, 18, 24, 36) 4 IN 4 OUT G3/8" Port +6~36 Circuits Capsule Signal Slip Ring



Model List (For other models, please contact customer service)

Model	Port Size	Gas Passage	Signal Circuits@1 ~ 2A	L (mm)	D (mm)	Pipe Size
HQ0403-06M	G3/8" Port	4	6	17	22	10 ~ 12mm
HQ0403-12M	G3/8" Port	4	12	24.5	22	10 ~ 12mm
HQ0403-18M	G3/8" Port	4	18	31.9	22	10 ~ 12mm
HQ0403-24M	G3/8" Port	4	24	39.6	22	10 ~ 12mm
HQ0403-36M	G3/8" Port	4	36	54.5	22	10 ~ 12mm

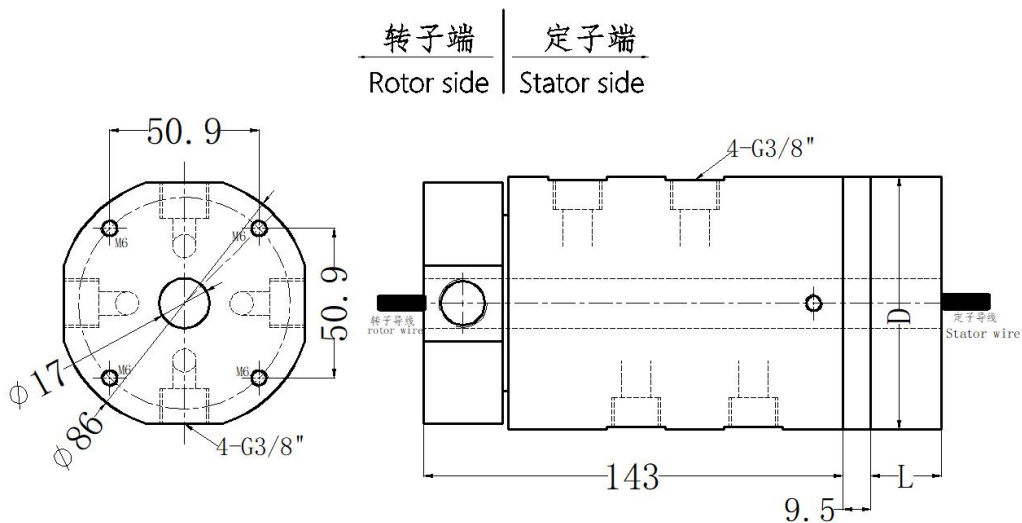
HQ0203-56M 2 IN 2 OUT G3/8" Port +56 Circuits Capsule Signal Slip Ring



Model List (For other models, please contact customer service)

Model	Port Size	Gas Passage	Signal Circuits@1 ~ 2A	L (mm)	D (mm)	Pipe Size
HQ0403-56M	G3/8" Port	4	56	86	25	10 ~ 12mm

HQ0203-NA-NS Drawing 2 IN 2 OUT G3/8" Port



Model List (For other models, please contact customer service)

Model	Port Size	Gas Passage	Signal Circuits@ 5A	Power Circuits@ 10A	L (mm)	D (mm)	Pipe Size
HQ0403-0610	G3/8" Port	4	0	6	48	86	10 ~ 12mm
HQ0403-06S	G3/8" Port	4	6	0	48	86	10 ~ 12mm
HQ0403-1210	G3/8" Port	4	0	12	72	86	10 ~ 12mm
HQ0403-0610-06S	G3/8" Port	4	6	6	72	86	10 ~ 12mm
HQ0403-1810	G3/8" Port	4	0	18	96	86	10 ~ 12mm
HQ0403-0610-12S	G3/8" Port	4	12	6	96	86	10 ~ 12mm
HQ0403-18S	G3/8" Port	4	18	0	96	86	10 ~ 12mm
HQ0403-24S	G3/8" Port	4	24	0	120	86	10 ~ 12mm
HQ0403-0610-18S	G3/8" Port	4	18	6	120	86	10 ~ 12mm
HQ0403-30S	G3/8" Port	4	30	0	144	86	10 ~ 12mm
HQ0403-36S	G3/8" Port	4	36	0	168	86	10 ~ 12mm

Note: Electrical power circuits @10A can combine with signal circuits @5A at will. For more models, please contact customer service.

Technical Specification

Mechanical		Electrical		
Spec	Data	Spec	Data	
Gas Passage	4 IN 4 OUT, G3/8"		Power	Signal
Pressure&Torque	Max. 1MP, Vacuum-1.5Kpa; Torque < 1.2 N.m	Voltage	0 ~ 240VAC/VDC	0 ~ 240VAC/VDC
Working Life	About 10 million revolutions (depend on the working environment)	Resistance	≥ 500MΩ/300v dc	≥ 500MΩ/300vdc
Rated Rotating Speed	500RPM	Lead Wire Spec	AWG16#Tin-plated Teflon	AWG22#Tin-plated Teflon
Working Temp.& Humidity	-30°C ~ -75°C, 0 ~ 80%RH	Lead Wire Length	Standard Length: 300mm	
Material	Housing Material: Aluminum Alloy Contact Material: Precious Metal	Insulation Strength	500VAC@50Hz, 10s	
IP Grade	IP51	Electrical Noise	<0.01Ω	