

HY0201 (2 Passages Hydraulic Rotary Joint)

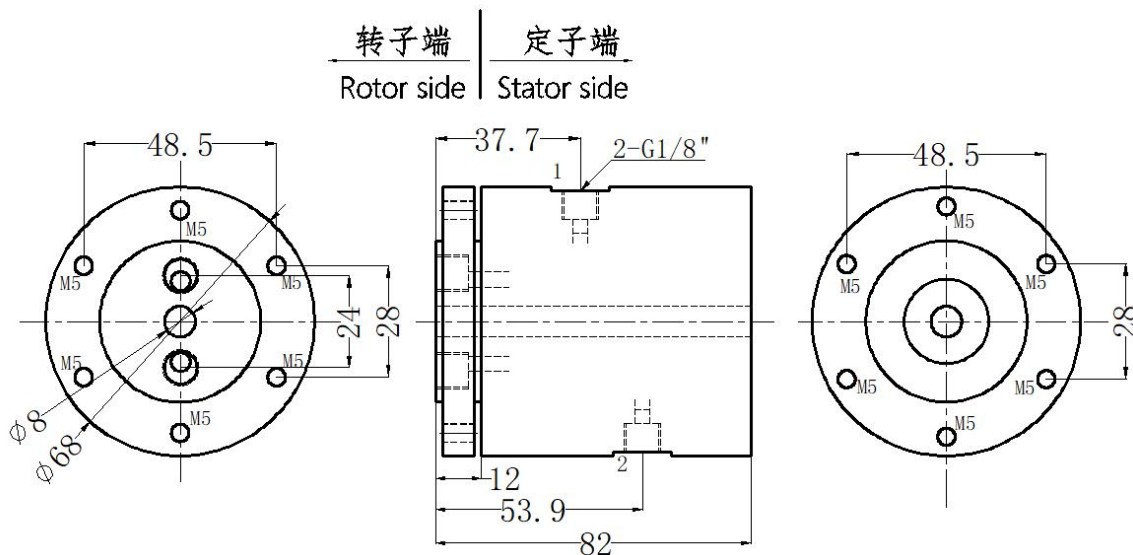
HY0201 Series is 2 passages Hydraulic rotary joint, with G1/8" port, can combine to transmit electricity. It is made of special stainless steel or aluminum alloy, can transmit medium types: compressed gas, vacuum; chemical mixtures, hot water, hot oil, petroleum, sulfuric acid, beverages, etc.;

Can combine to transmit: electrical power and signal, solenoid valve, control circuits, Ethernet, USB, etc.

G1/8" port is a frequency-used port, ports like G1/4"port, G3/8" port, G1/2" port, are the same.



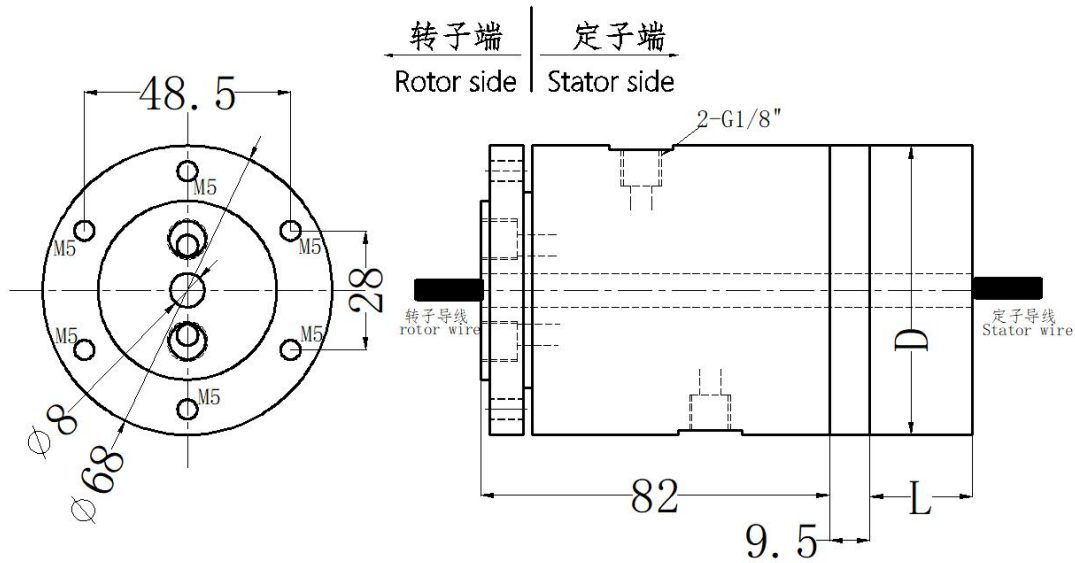
HY0201 2 IN 2 OUT G1/8" Port



Model List

Model	Port Size	Flow Passage	Pipe Size
HY0201	G1/8" Port	2	6 ~ 8mm

HY0201-NA-NS Drawing 2 IN 2 OUT G1/8" Port



Model List (For other models, please contact customer service)

Model	Port Size	Flow Passage	Signal Circuits@ 5A	Power Circuits@ 10A	L (mm)	D (mm)	Pipe Size
HY0201-0610	G1/8" Port	2	0	6	39	56	6 ~ 8mm
HY0201-0210-04S	G1/8" Port	2	4	2	39	56	6 ~ 8mm
HY0201-06S	G1/8" Port	2	6	0	39	56	6 ~ 8mm
HY0201-12S	G1/8" Port	2	12	0	57	56	6 ~ 8mm
HY0201-0610-06S	G1/8" Port	2	6	6	57	56	6 ~ 8mm
HY0201-0810-04S	G1/8" Port	2	4	8	57	56	6 ~ 8mm
HY0201-18S	G1/8" Port	2	18	0	75	56	6 ~ 8mm
HY0201-0410-14S	G1/8" Port	2	14	4	75	56	6 ~ 8mm
HY0201-1210-06S	G1/8" Port	2	6	12	75	56	6 ~ 8mm
HY0201-1810	G1/8" Port	2	0	18	75	56	6 ~ 8mm
HY0201-24S	G1/8" Port	2	24	0	93	56	6 ~ 8mm
HY0201-1210-12S	G1/8" Port	2	12	12	93	56	6 ~ 8mm
HY0201-36S	G1/8" Port	2	36	0	129	56	6 ~ 8mm
HY0201-1610-20S	G1/8" Port	2	20	16	129	56	6 ~ 8mm
HY0201-42S	G1/8" Port	2	42	0	147	56	6 ~ 8mm
HY0201-60S	G1/8" Port	2	60	0	201	56	6 ~ 8mm
HY0201-72S	G1/8" Port	2	72	0	237	56	6 ~ 8mm
HY0201-96S	G1/8" Port	2	96	0	309	56	6 ~ 8mm

Note: Electrical power circuits @10A can combine with signal circuits @5A at will. For more models, please contact customer service.

Product Quality Level Table

Grade Code	Working Life	Sealing Ring	Max. Rotating Speed
VD (Industrial)	6 million revolutions	Imported brand	300RPM
VC (Standard)	5million revolutions	Domestic brand	100RPM

Technical Specification

Mechanical		Electrical		
Spec	Data	Spec	Data	
Passag	2 IN 2 OUT, G1/8"		Power	Signal
Pressure&Torque	Max. 10MP, Vacuum 0.01torr; Torque < 2.2N.m	Voltage	0 ~ 440VAC/VDC	0 ~ 440VAC/VDC
Working Life	About 10 million revolutions (depend on the working environment)	Resistance	≥ 1000MΩ/500vdc	≥ 1000MΩ/500vdc
Rated Rotating Speed	500RPM	Lead Wire Spec	AWG16#Tin-plated Teflon	AWG22#Tin-plated Teflon
Working Temp.& Humidity	-30°C ~ -75°C, 0 ~ 80%RH	Lead Wire Length	Standard Length: 300mm	
Material	Housing Material: Aluminum Alloy Contact Material: precious metal	Insulation Strength	500VAC@50Hz, 60s	
IP Grade	IP51	Electrical Noise	<0.01Ω	