

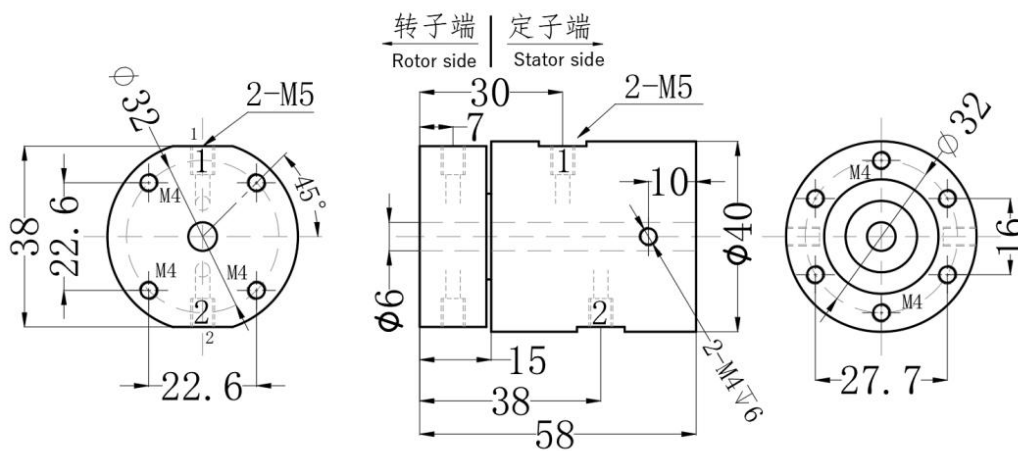
HQ02005 (2 Passages Pneumatic Rotary Joint)

HQ02005 Series is 2 passages pneumatic rotary joint, with M5 port, can combine to transmit electricity.

It is made of special aluminum alloy, with small size, light weight and small torque. Can transmit medium types: compressed gas, vacuum, etc. Can combine to transmit: electrical power and signal, solenoid valve, control circuits, etc. M5 port is a frequency-used port, ports like G1/8" port, G3/8" port, are the same.



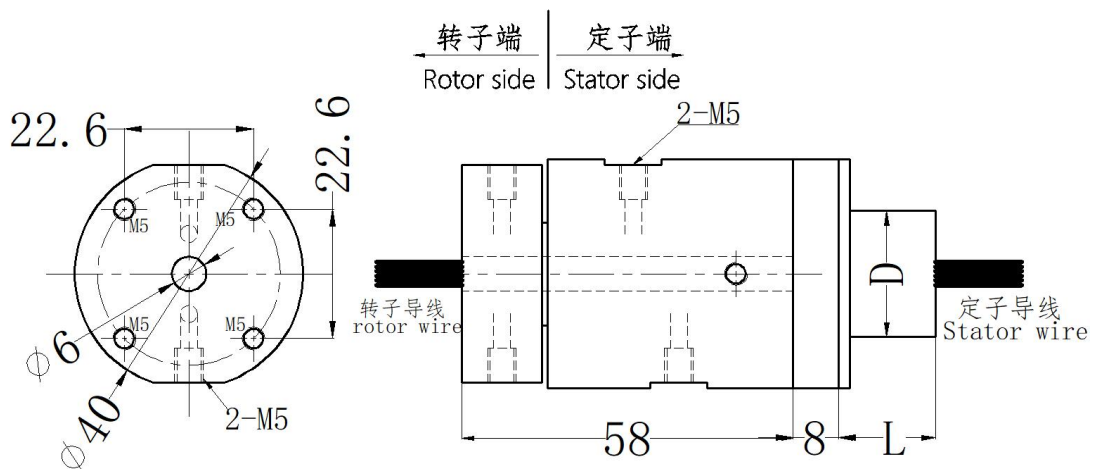
HQ02005 2 IN 2 OUT M5 Port



Model List

Model	Port Size	Gas Passage	Pipe Size
HQ02005	M5 Port	2	4 ~ 6mm

HQ02005-06M (12, 18, 24, 36) 2 IN 2 OUT M5 Port +6~24 Circuits Capsule Signal Slip Ring



Model List (For other models, please contact customer service)

Model	Port Size	Gas Passage	Signal Circuits@ 1 ~ 2A	L (mm)	D (mm)	Pipe Size
HQ02005-06M	M5 Port	2	6	17	22	4 ~ 6mm
HQ02005-12M	M5 Port	2	12	24.5	22	4 ~ 6mm
HQ02005-18M	M5 Port	2	18	31.9	22	4 ~ 6mm
HQ02005-24M	M5 Port	2	24	39.6	22	4 ~ 6mm
HQ02005-36M	M5 Port	2	36	54.5	22	4 ~ 6mm

Technical Specification

Mechanical		Electrical		
Spec	Data	Spec	Data	
Gas Passage	2 IN 2 OUT, M5		Power	Signal
Pressure&Torque	Max. 1MP, Vacuum-1.5Kpa; Torque < 1.2 N.m	Voltage	0 ~ 240VAC/V DC	0 ~ 240VAC/VDC
Working Life	About 10 million revolutions (depend on the working environment)	Resistance	≥ 500MΩ/3 00vdc	≥ 500MΩ/300vdc
Rated Rotating Speed	500RPM	Lead Wire Spec	AWG16#T in-plated Teflon	AWG22#Tin-pla ted Teflon
Working temp. &humidity	-30°C ~ -75°C, 0 ~ 80%RH	Lead Wire Length	Standard Length: 300mm	
Material	Housing Material: Aluminum Alloy Contact Material: Pecious Metal	Insulation Strength	500VAC@50Hz, 10s	
IP Grade	IP51	Electrical Noise	<0.01Ω	

Product Quality Level Table

Grade Code	Working Life	Sealing Ring	Max. Rotating Speed
VD (Industrial)	6 million revolutions	Imported brand	300RPM
VC (Standard)	5 million revolutions	Domestic brand	100RPM

Options for custom slip ring

Special requirements: 1 piece MOQ, delivery time will need extra 4-15 days, the cost of customization needs to be negotiated. The requirements for customization below can be met:

- ① High temperature can reach up to 500°;
- ② High voltage can reach up to 110KV;
- ③ High speed rotating speed can reach up to 1000RPM
- ④ Large current can reach up to 5000A;
- ⑤ Can combine with rotary joint;
- ⑥ Can combine to transmit with signal;
- ⑦ Can customize as your required size;
- ⑧ Aviation plug is optional;
- ⑨ Can combine to transmit in high speed rotating speed;
- ⑩ Underwater waterproofing is optional.